

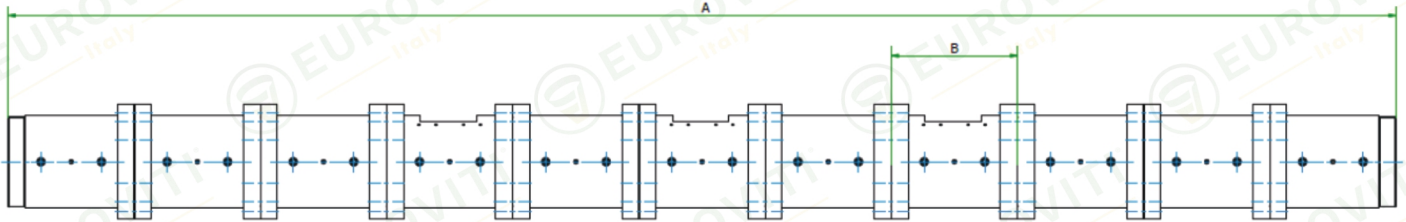
# BARREL TYPE IDENTIFICATION

## COMPANY INFORMATION:

Name:	Country:	Address:
Contact name:	Position:	
Telephone:	E-Mail:	

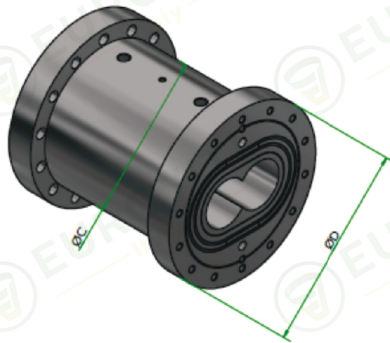
## EXTRUDER INFORMATION:

Machine Brand:	Model:	L/D:
----------------	--------	------

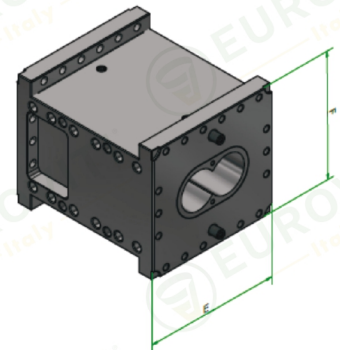


### SPECIFY SHAPE OF BARREL:

ROUNDED:



SQUARED:



REQUIRED DIMENSIONS	MEASURE		
N° of barrels		F - Height	mm
A - Total length	mm	N° of degassing holes	
B - Single barrel length	mm	N° of side feeding holes	
C - External diameter	∅	N° of degassing holes + side feeding holes combined	
D - Flange diameter	∅		
E - Base	mm	Added pictures by mail?	NO <input type="checkbox"/> YES <input type="checkbox"/>

Attach photos, assembly drawings, sketches to simplify a faster quotation